



SHELL ASSY

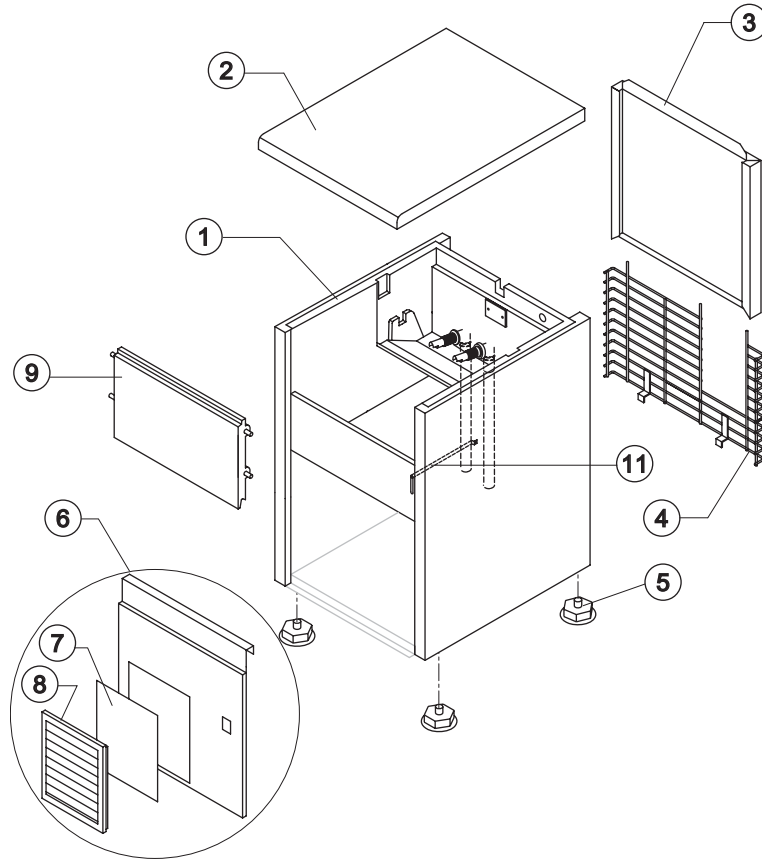
SHELL ASSY DP

COOLING SYSTEM

HYDRAULIC CIRCUIT

HYDRAULIC CIRCUIT DP

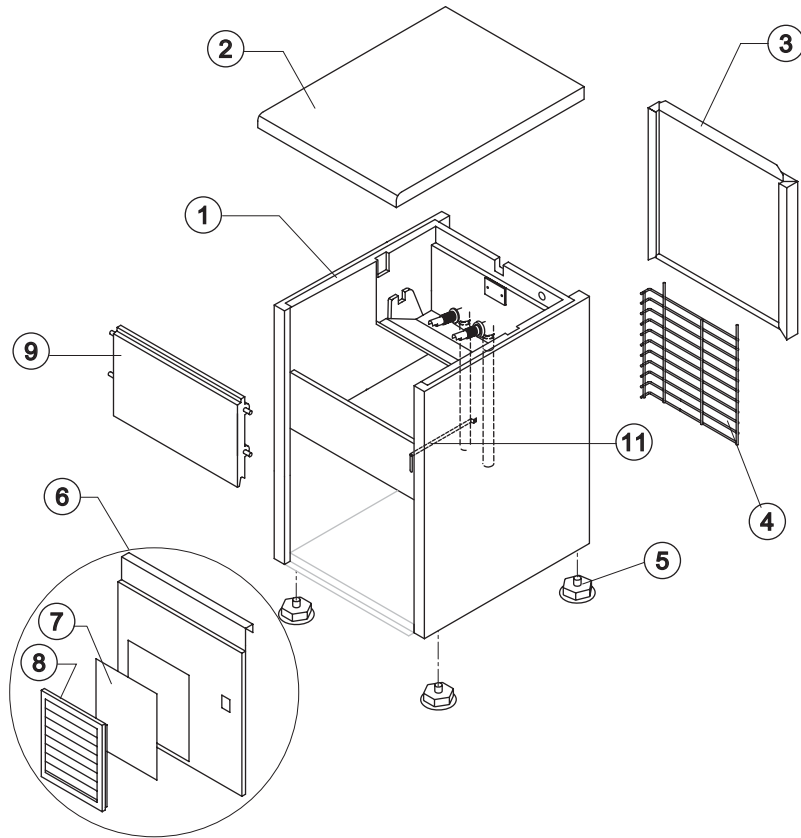
ELECTRIC PARTS



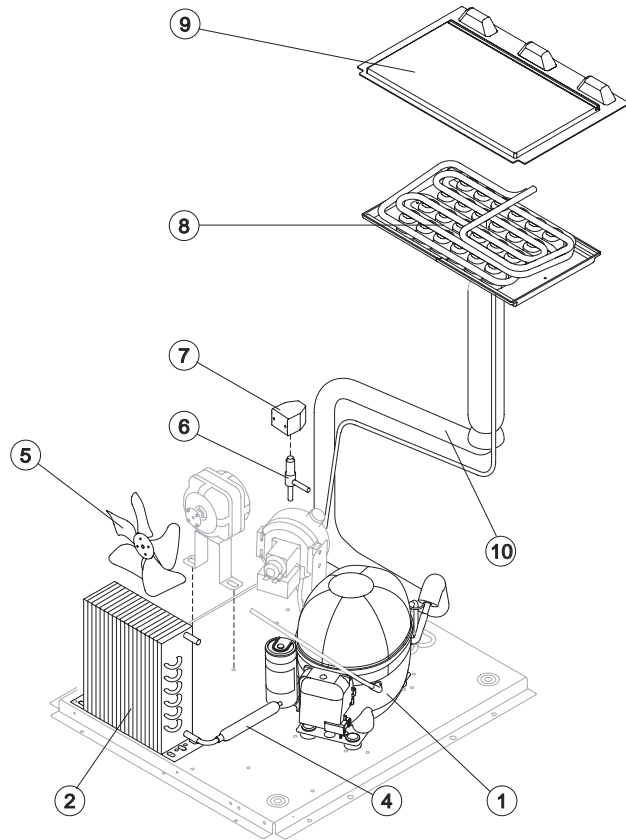
Ref.	Spare Description	Code
1	Foamed Cabinet Assy	C11226A
2	Top Assembly	C22693
3	Rear Panel Assembly	C21181
4	Rear Grid	D12002
5	Foot M10	10557
6	Front Grid Panel	C221702
7*	Filtering Panel	18106
8	Frame + Grid & Filter	C10205
9	Door Assembly	C10303
11	Bulb-holder Pipe	20520



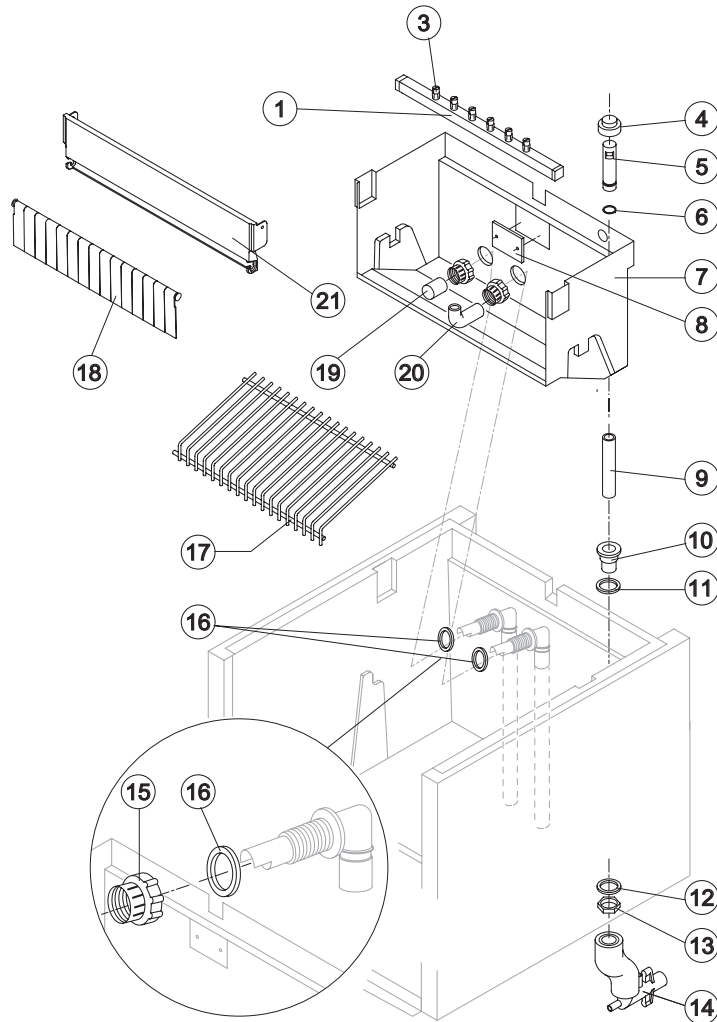
SHELL ASSY DRAIN PUMP VERSION



Ref.	Spare Description	Code
1	Foamed Cabinet Assy	C11226DP
2	Top Assembly	C22693
3	Rear Panel Assembly	C21181
4	Rear Grid	D12100
5	Foot M10	10557
6	Front Grid Panel	C221702
7*	Filtering Panel	18106
8	Frame + Grid & Filter	C10205
9	Door Assembly	C10303
11	Bulb-holder Pipe	20520



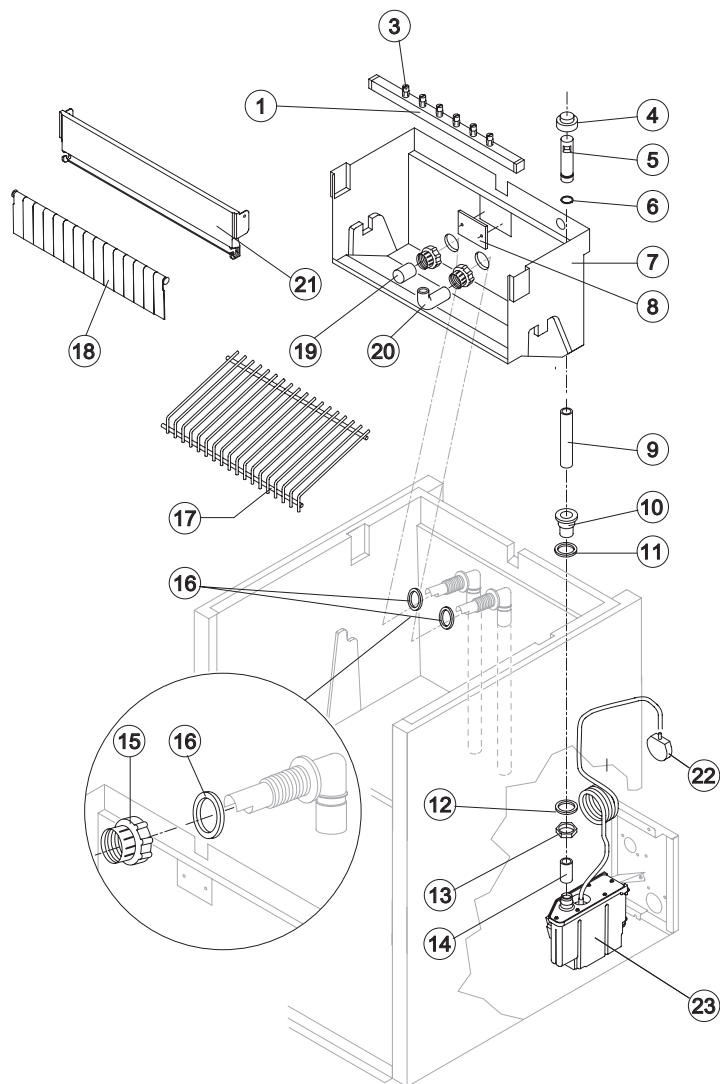
Ref.	Spare Description	Code
1	Compressor	231159
2	Air Condenser	20534
4*	Molecular Drier	14009
5	Sucking Fan	20096
6*	Hot Gas Valve Body	20853
7*	Hot Gas Valve Coil	23854
8	Evaporator	D10921
9	Evaporator Cover Panel	10451
10	Suctin Line	for the spare parts code give us the s/n.



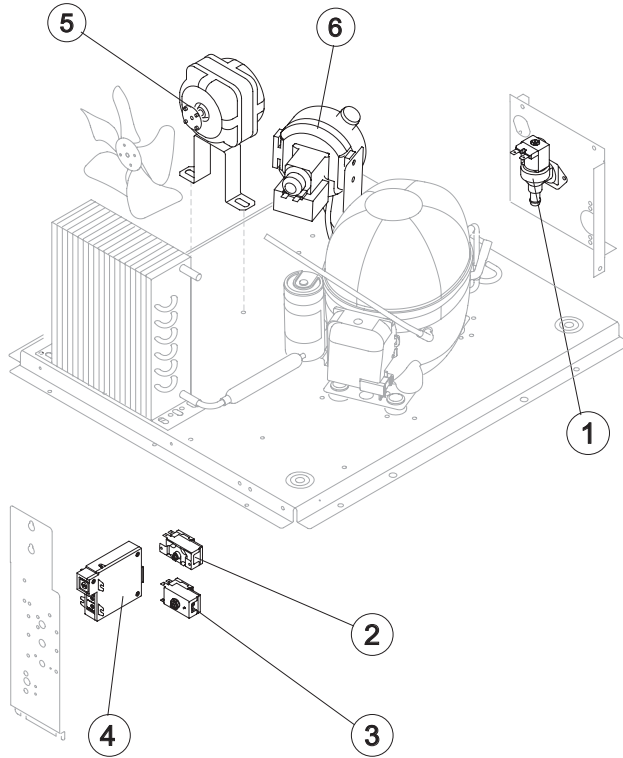
Ref.	Spare Description	Code
1*	Sprayers Bar Assembly	C201256
3	Sprayer	D20002
4*	Overflow Cap	10305
5*	Overflow Pipe	10133
6*	OR Gasket for Overflow Pipe	20233
7	Inner Basin	10252
8	Slide Keep Plate	10009
9*	Overflow Pipe	13106
10	Water Outlet Nipple	10472
11	Silicone Gasket	13219
12	Semirigid Polyethylene Gasket	13007
13	Bin Discharge Nut	10096
14	Discharges Manifold	C10006
15	Fittings Locking Ring	10405
16	Gasket for Pump Suction/Delivery Pipes	13220
17	Ice Cubes Slide	D12139
18	Rod with Flags	10533
19*	Pump Suction Filter	20005
20	Sprayers Feeding Pipe	13005
21	Flags ABS Support	10529



HYDRAULIC CIRCUIT DRAIN PUMP VERSION



Ref.	Spare Description	Code
1*	Sprayers Bar Assembly	C201256
3	Sprayer	D20002
4*	Overflow Cap	10305
5*	Overflow Pipe	10133
6*	OR Gasket for Overflow Pipe	20233
7	Inner Basin	10252
8	Slide Keep Plate	10009
9*	Overflow Pipe	13106
10	Water Outlet Nipple	10472
11	Silicone Gasket	13219
12	Semirigid Polyethylene Gasket	13007
13	Bin Discharge Nut	10096
14	Bin Discharge-Drain Pump Connection	C13175080
15	Fittings Locking Ring	10405
16	Gasket for Pump Suction/Delivery Pipes	13220
17	Ice Cubes Slide	D12139
18	Rod with Flags	10533
19*	Pump Suction Filter	20005
20	Sprayers Feeding Pipe	13005
21	Flags ABS Support	10529
22	Water level pressure switch assy	C231230
23	Drain Pump	RC231225



Ref.	Spare Description	Code
1*	1 Way- Water Inlet Valve	23115
2*	Bin Thermostat	23005
3*	Evaporator Thermostat	23591
4	Electronic Timer / On-Off (AWS)	R231154
5	Fan Motor	231041
6*	Pump Assy	C231016